

# WGM Top – the over roof conservatory awning

Technical information

**weinor**

## Technical information

4-5	Overview and highlights
6-8	Product benefits and versions
10-15	Control and operation
16	Wall connection to roof profile and side cover plates
17	Distance bars
18	Stretch and OptiStretch
19	Tension system
20-21	Technical details and sections
22-25	Multi-section units
26-27	Installation alternatives
28-33	Fixings and support brackets

## General Information

34-35	Frame colours
36-37	weinor fabrics

weinor is an eco-friendly company. To ensure compliance with high environmental standards, manufacturing processes and materials undergo regular testing by experts.





## **weinor WGM Top**

### **The over roof conservatory awning for a perfect environment all year round**

Thanks to its flexible construction the WGM Top from weinor fits over almost any building project, from wooden, aluminium or steel patio roof, to the weinor® Glasoase and warm conservatory. It reliably protects against overheating, thus contributing to a pleasant atmosphere. The WGM Top also has quite a bit to offer in terms of design. With its slimline profiles, almost screwless look and a huge variety of fabric patterns and frame colours it integrates subtly into the overall appearance of the house facade.

# WGM Top

## The over roof conservatory awning



**Attractive design**  
Slimline, no visible fixings



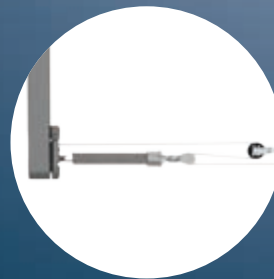
**Well positioned controls:**

The BiConnect receivers are housed on top of the cassette making it easy to access for maintenance purposes



**weinor carriage system:**

Quiet and easy running



**New flat rope:**

Quiet and extremely tear-resistant

**Flexible support brackets:**

The awning height can be individually adjusted thanks to the different support bracket versions (fixed/adjustable, standard/special version)



*Fixed support bracket  
top in 4 heights: 80,  
120, 150 and 220 mm*



*Adjustable support bracket  
top in 3 heights: 120–165,  
165–210 and 210–255 mm*



*Adjustable support bracket top for  
multi-section units in 3 heights:  
120–165, 165–210 and 210–255 mm*



9 WiGa trend colours  
47 standard RAL colours

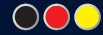
The powder coating done in our in-house factory guarantees **colour fastness and a uniform gloss level.**



WGM Top fabrics are spinneret dyed, water repellent and dirt-resistant.



**Premium quality**  
made in Germany



**Exciting versions**



**WGM Top OptiStretch:**  
Held captive on 4 sides,  
no light gap



**WGM Top Stretch:**  
Held captive on 2 sides,  
more cost effective solution



**The best protection:**  
Can be combined with a  
sun/wind sensor



**Multi-section units possible:**  
Ideal for covering very large  
areas, especially in the  
commercial sector

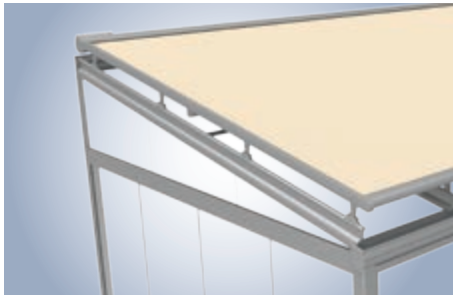


The WGM Top from weinor is only available with motor drive. On the basis of radio technology, it can be controlled using the weinor BiConnect or Somfy RTS and io-homecontrol® systems. A wired version is also available.

## Product benefits in detail

---

The WGM Top conservatory awning is suitable for most applications and constructions thanks to its flexible construction.

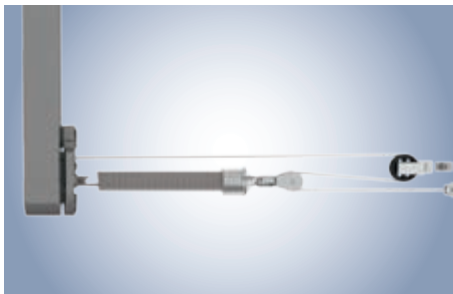


### WGM Top – creates an ideal atmosphere under any conservatory or roof structure

The WGM Top can be retrofitted to a whole range of different untrussed roofs. It fits perfectly on a weinor Glasoase®, as well as on a warm conservatory and on a wooden or aluminium patio roof. It protects against overheating, thus contributing to a pleasant atmosphere.

The WGM Top impresses due to its slim, elegant design with almost no visible fixings.

- Suitable for larger cross sections and dimensions up to 36 m<sup>2</sup>
- Wind-resistant up to wind force 6 on the Beaufort scale
- Elegant design without any visible screws, caps or fixings



### Reliable tension system – with new quiet flat rope

The tried and tested tension system is used with the WGM Top with a new flat and at the same time tear-resistant rope.

The rope winds up extremely quietly over itself instead of side by side. This prevents the rope from bouncing.

- Long-lasting equalised fabric tautness with pulley block technology
- The flat rope is quiet and tear-resistant. It prevents the rope from twisting and bouncing and does not fray on the sides.



### Tried and tested carriage system

The tried and tested carriage impresses with highly-precise and quiet running.

- Precision rollers for reduced rolling friction, resulting in very easy and quiet extension and retraction

- Accurate guiding of the flat rope in the carriage
- Loose-fitting bearing on carriage prevents it from jamming in side winds

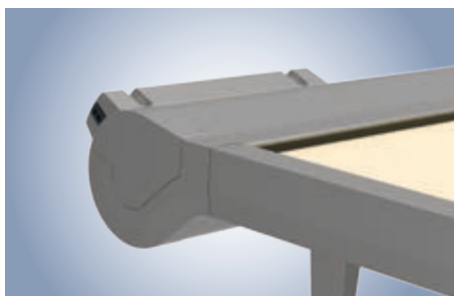


### Supporting brackets for every requirement

The conservatory awning's support brackets top impress with their subtle and almost screwless look. The awning height can be individually adjusted thanks to the different

versions (fixed, adjustable, standard and special version). Even several WGM 2030 support brackets are compatible with the WGM Top.

## Product benefits in detail

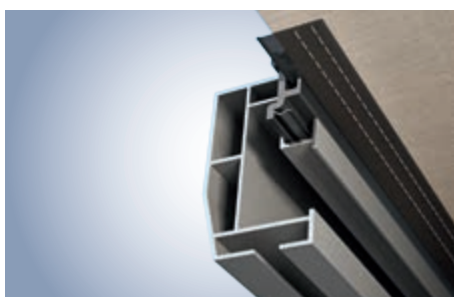


### Well positioned receiver housing

The well designed and positioned housing is positioned on top of the cassette for ease of access.

- Easier access to the motor input and components

- The programming of the drive's end positions is made easier by the housing position
- Decoupling of the wind sensors during maintenance



### Clever Stretch and OptiStretch versions

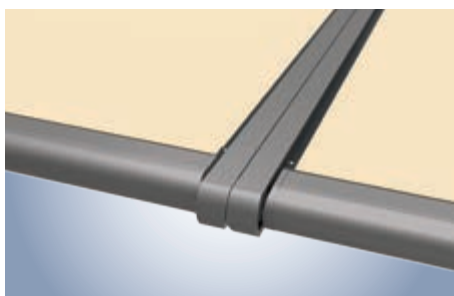
**Stretch WGM Top:** the consistent tension and fabric position creates a cosy atmosphere.

- **Stretch:** held captive on 2 sides, easy to install, cost effective solution

**OptiStretch WGM Top:** excellent tension without any light gaps or sagging fabric edges. Reduced sagging due to the increased tension. Improved performance and aesthetics during extension and retraction.

- **OptiStretch:** held captive on all 4 sides, no light gaps

Functioning principle of OptiStretch



### Multi-section units – for large cross sections and dimensions

The maximum size of a WGM Top is 6,500 x 5,000 mm or 6,000 x 6,000 mm. Wider systems can be extended easily to become a multi-section unit by placing single-unit systems next to each other.

The single-unit systems installed next to each other have a separate motor drive and can thus be retracted and extended separately.



### BiSens sun, wind and rain sensors

BiSens radio sensors provide maximum convenience. They open the awning automatically when the sun comes out and retract it in the rain and wind.

Available in the following versions:

- Sun/wind/rain sensor
- Sun/wind sensor
- Sun sensor

## WGM Top versions

- Standard
- Option
- Unavailable

	WGM Top Stretch	WGM Top OptiStretch
<b>Technology</b>		
Max. axial dimension for 1 unit (width: axial dimension + 61 mm)	6,500/6,000 mm	6,500/6,000 mm
Max. projection	5,000/6,000 mm	5,000/6,000 mm
Max. fabric area	36 m <sup>2</sup>	36 m <sup>2</sup>
Cassette size (height x depth)	166 x 323 mm	166 x 323 mm
Gear drive	—	—
Motor drive	● as standard	● as standard
Pitch	at least 3°	at least 3°
Installation alternatives	p. 26 on	p. 26 on
Lighting	—	—
<b>Design</b>		
47 standard frame colours	●	●
Over 150 other RAL colours	○	○
9 trend colours	●	●
Other structural colours	○	○
weinor fabric collection	●	●
Other fabric collections	○	○
<b>Accessories</b>		
Fixing materials	p. 28 on	
Radio control	○ see weinor/Somfy radio controls, from page 10	
No remote	● see weinor permanently wired, from page 14	
<b>Weather sensors</b>		
Sun sensor sun/wind sensor	○ see weinor/Somfy weather sensors, from page 11	
<b>Quality</b>		
Tested up to	wind force 6 on the Beaufort scale and wind resistance class 3* according to DIN 13561	

\* The wind resistance class applies with a supporting bracket height of max. 220 mm (fixed support bracket) and/or 265 mm (adjustable support bracket).





## BiConnect remote control



BiEasy 1M

BiEasy 5M



BiEasy 15M with display

BiEasy App

### weinor BiConnect – control for awning, light and heating

The WGM Top comes as standard with one drive and can optionally be controlled using the pre-programmed BiEasy remote control.

There are hand transmitters with different numbers of channels: choose from 1, 5 or 15 channels with a display.



### weinor BiEasy hand transmitter

- Operationally safe thanks to protected transmission frequency (868 MHz)
- Attractive and convenient design

### BiRec Remote receiver

- Various remote-controlled receivers depending on function combinations
- To suit awning fittings – e.g. to extend and retract the awning or dim the lights

### Sun and sun/wind sensors – automatic heat and product protection (option)

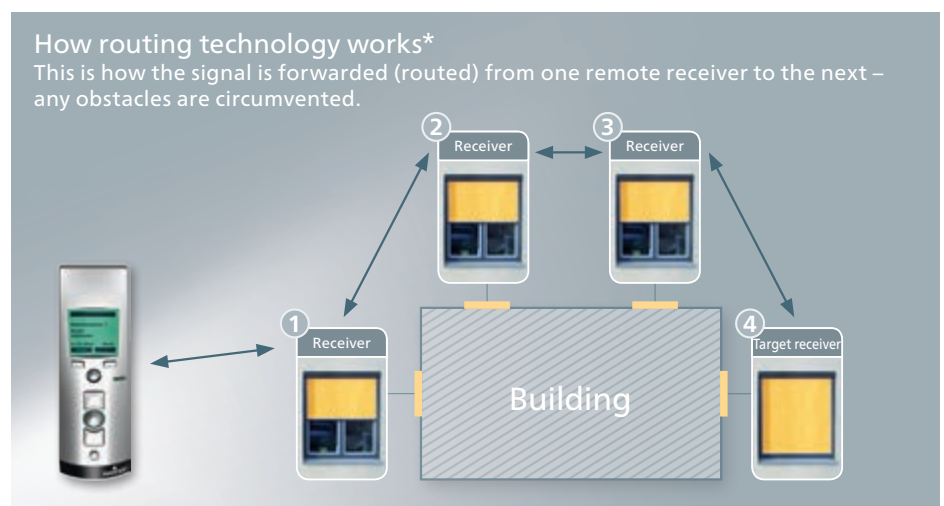
The BiConnect series remote sensors automatically extend the WGM Top when the sun shines and reliably retract it in case of wind or cloud.

### BiEasy APP

Please see technical brochure "Accessories" for further information.

### State-of-the-art routing technology

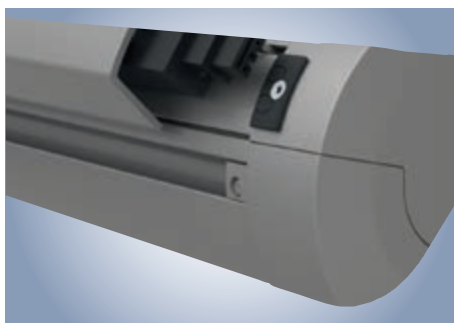
The new BiConnect radio control transmits bidirectional signals and is very reliable thanks to its ultra-modern routing technology. In this case, the BiEasy handheld transmitter sends a radio signal to an active receiver within its range. The signal is then forwarded from one receiver to the next until it reaches the target receiver – and all this occurs in a second.



\* Very simplified illustration

↔ = Routing signal and feedback signal

## BiConnect remote control



### Well positioned receiver housing

The cleverly designed housing is positioned on top of the cassette for easy access for maintenance purposes and gives simple access to the motor.

The control box allows for easy access, for example to program the drive's end positions. The wind sensors can also be decoupled during maintenance.

### BiRec receiver



**BiRec MA-K**  
remote receiver for drive control

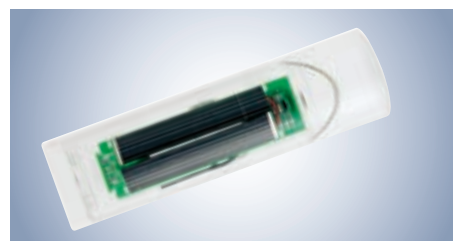
### BiSens sensors



**BiSens SW-230 V**  
Sun/wind sensor with power connection



**BiSens SW-Solar**  
Sun/wind sensor with solar operation  
(not suitable for constructions that are used for privacy protection)



**BiSens SUN-Solar**  
Sun sensor solar operation  
(not suitable for constructions that are used for privacy protection)

Product	Equipment	Remote receiver	Hand transmitter
WGM Top	Motor	BiRec MA-K	BiEasy 1M/1MW-3V

Product	BiConnect
WGM Top drive	Receiver integrated into cassette

## Somfy RTS radio technology



Telis 1  
RTS Pure

Telis 4  
RTS Pure

Telis Soliris  
RTS Pure

Telis 4 Soliris  
RTS Pure

### Somfy RTS

Alternatively, the WGM Top can also be controlled with Somfy RTS.



Wall transmitter:

Smoove 1 RTS  
Pure Shine

Chronis RTS smart

### Somfy RTS

Since RTS works unidirectionally, no feedback is given on the status of the units. The radio control system runs on a frequency of 433.42 MHz.



### Somfy RTS Sensor



**Soliris Sensor RTS**  
Sun/wind sensor with power connection

Product	Equipment	Remote receiver	Hand transmitter
WGM Top	Motor	integrated in the remote-controlled motor	Telis 1 RTS Pure/Telis 1 Soliris RTS Pure/Smoove 1

## Somfy io-homecontrol® radio technology



Situ 5 io    Easy Sun io    Smoove 1 io Pure Shine

io-homecontrol® allows every convenience and security feature to be combined into one network and be controlled using a single remote

transmitter. The expandable system can also incorporate any new products that are added.



### Somfy io-homecontrol® sensor



Sunis WireFree io Radio sun sensor    Sensor Box io Communication unit

### Somfy io-homecontrol® receiver



Lighting Receiver io

#### Installation location for Somfy Lighting receiver io

The Somfy receiver is accommodated in the cassette and can therefore be easily replaced in case of service.

Product	Equipment	Remote receiver	Hand transmitter
WGM Top	Motor	integrated in the remote-controlled motor	Situ Mobile io Silver Mat/Smoove 1 io Pure Shine

Product	Somfy io-homecontrol®
WGM Top drive	Receiver integrated in the io-remote-controlled motor

## weinor hard wired (existing witch/power supply)



A hard wired control makes sense in the case of existing power cables or sources of interference for radio control.



Product	weinor hard wired (existing witch/power supply)
WGM Top drive	<ul style="list-style-type: none"><li>• No receiver required</li><li>• Commutator or control on site</li></ul>



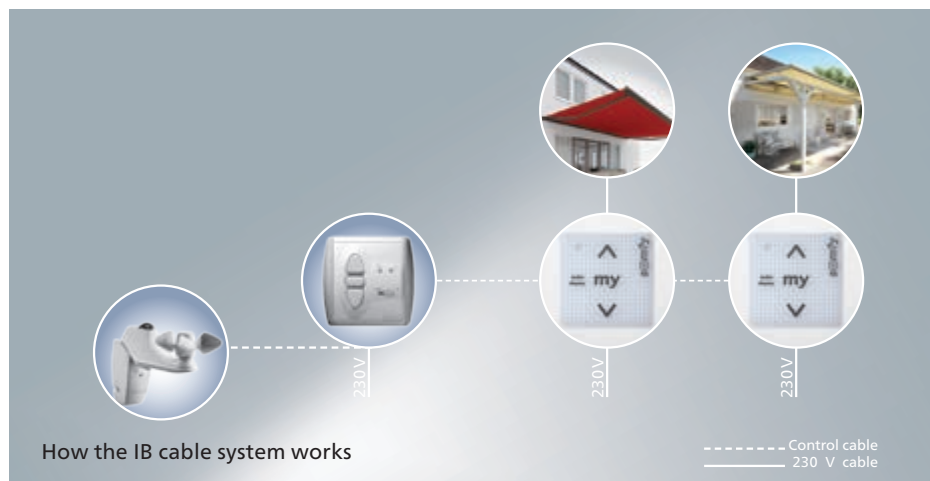
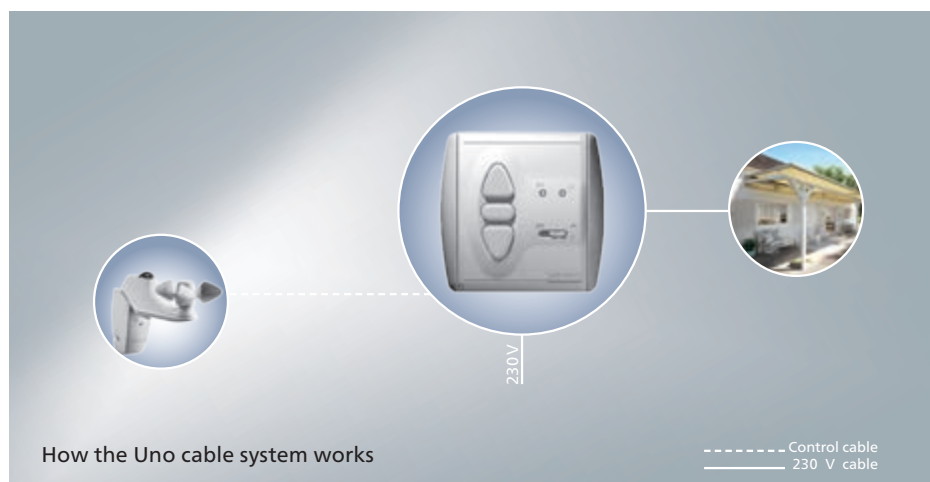
## weinor hard wired with Somfy control

For the hard wired version, a Somfy switch and weather sensor can be supplied with the awning.



Control unit + sensor Uno/IB

Smooove Uno IB + Pure Shine



Product	weinor hard wired with Somfy control
WGM Top drive	No receiver required

## Wall sealing profile (optional)

---

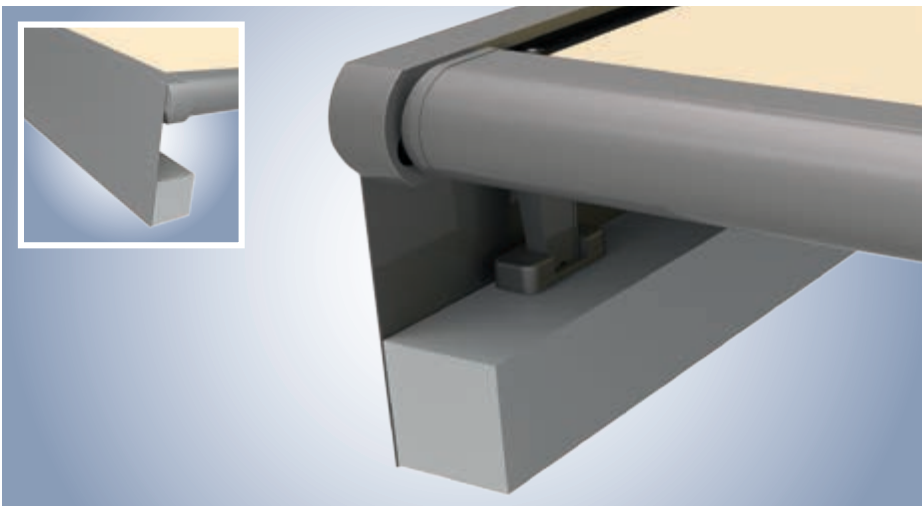


### Cassette to wall sealing profile (optional)\*

The wall sealing profile conceals the gap between the wall and the cassette. This is a useful option if there is no roof overhang above the cassette.

## Side cover plates form A/form B (option)

---

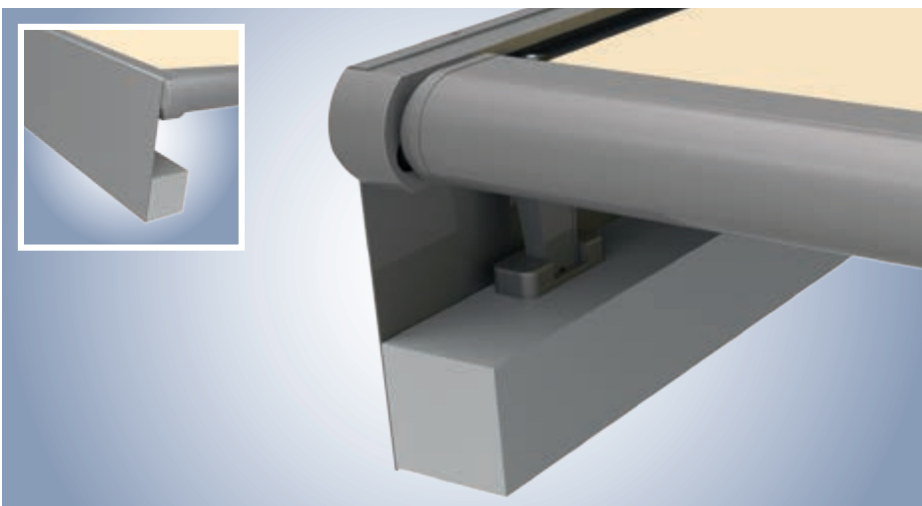


Side cover plate form A

### Side cover plates

The cover plates prevent light coming in on the sides. They are always supplied to fit the support bracket height and 3,000 mm long and are trimmed on site.

They are available selectively in a flat version (form A) and folded at 90° with a fold edge of 20 mm.

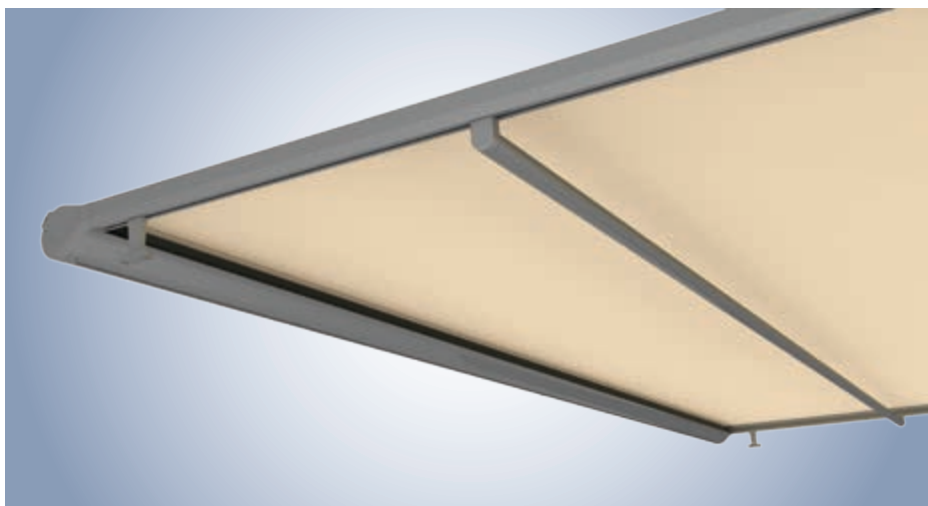


Side cover plate form B

\* Please note that the wall connection sealing profile cannot be used in conjunction with the receiver housing. Instead the Hirschmann coupling can be attached under the wall profile using clips. The receiver housing can only be used when there is a clearly defined gap between the cassette housing and the wall or when fixing with a wall bracket.



## Use of fabric support rollers

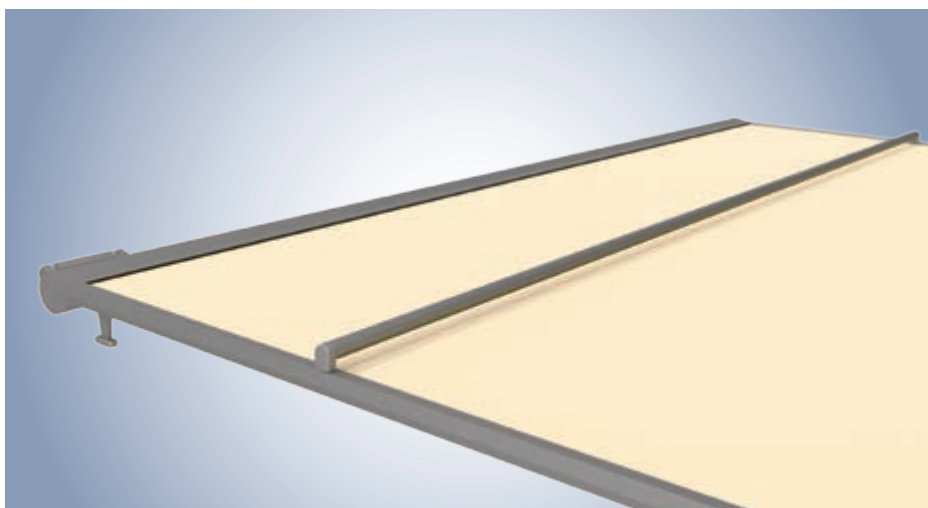


### Fabric support roller at bottom

A fabric support roller is used under the WGM Top as standard with 4,001 mm or more. The use of fabric support rollers depends on the support bracket height (generally a fabric support roller cannot be used with 80 mm support brackets).

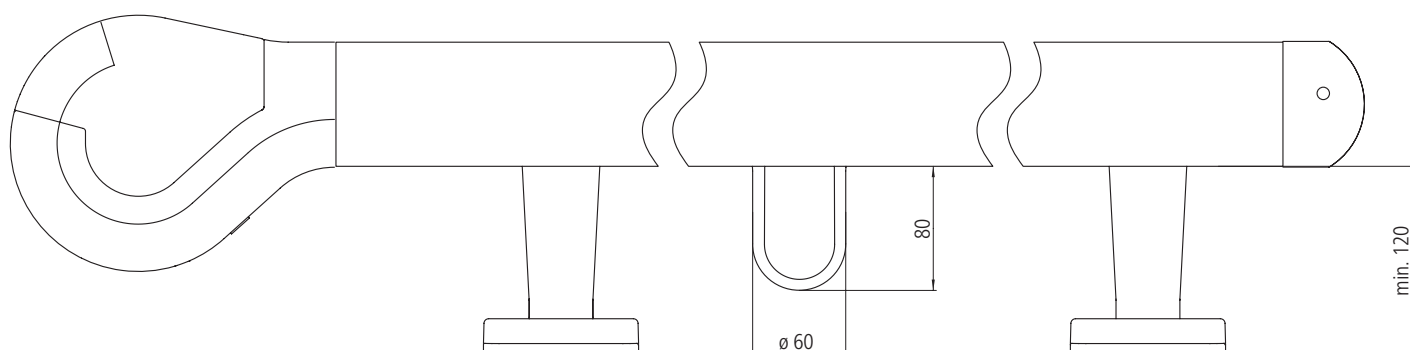
The use of additional support brackets and fabric support rollers is recommended:

- In strong winds
- With weak substructures



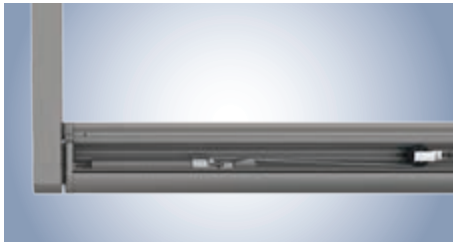
### WGM Top fabric support roller

An additional fabric support roller can also be installed above the fabric on request.



## The Stretch and OptiStretch system in comparison

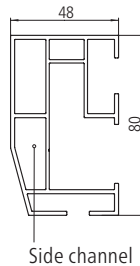
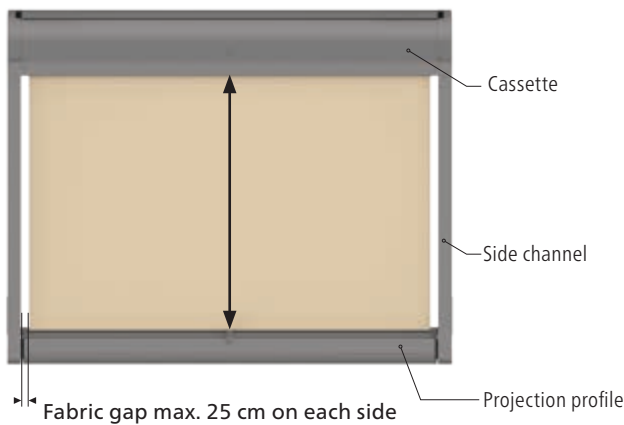
### WGM Top Stretch and WGM Top OptiStretch



The **WGM Top Stretch** and **OptiStretch** consist of identical frame constructions and use the same tried and tested weinor tension system with a new flat rope that winds up extremely quietly. The fabric guide is the difference between the two systems.

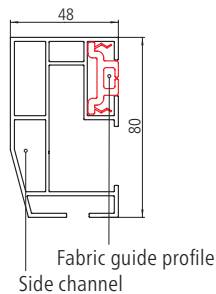
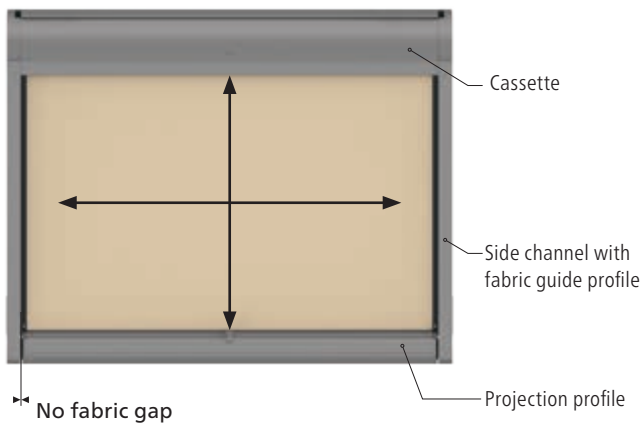
In the Stretch System, the fabric is tensioned between the fabric roller bearing and the projection profile in the ascending direction, while in the OptiStretch, the fabric is additionally guided sideways in the guide rail. The WGM Top OptiStretch thus achieves a significantly higher degree of fabric tensioning.

### The Stretch system



- Held captive on 2 sides
- Cost effective solution
- Easy installation
- Fabric gap up to 25 mm
- Good fabric tautness also for Soltis® fabrics

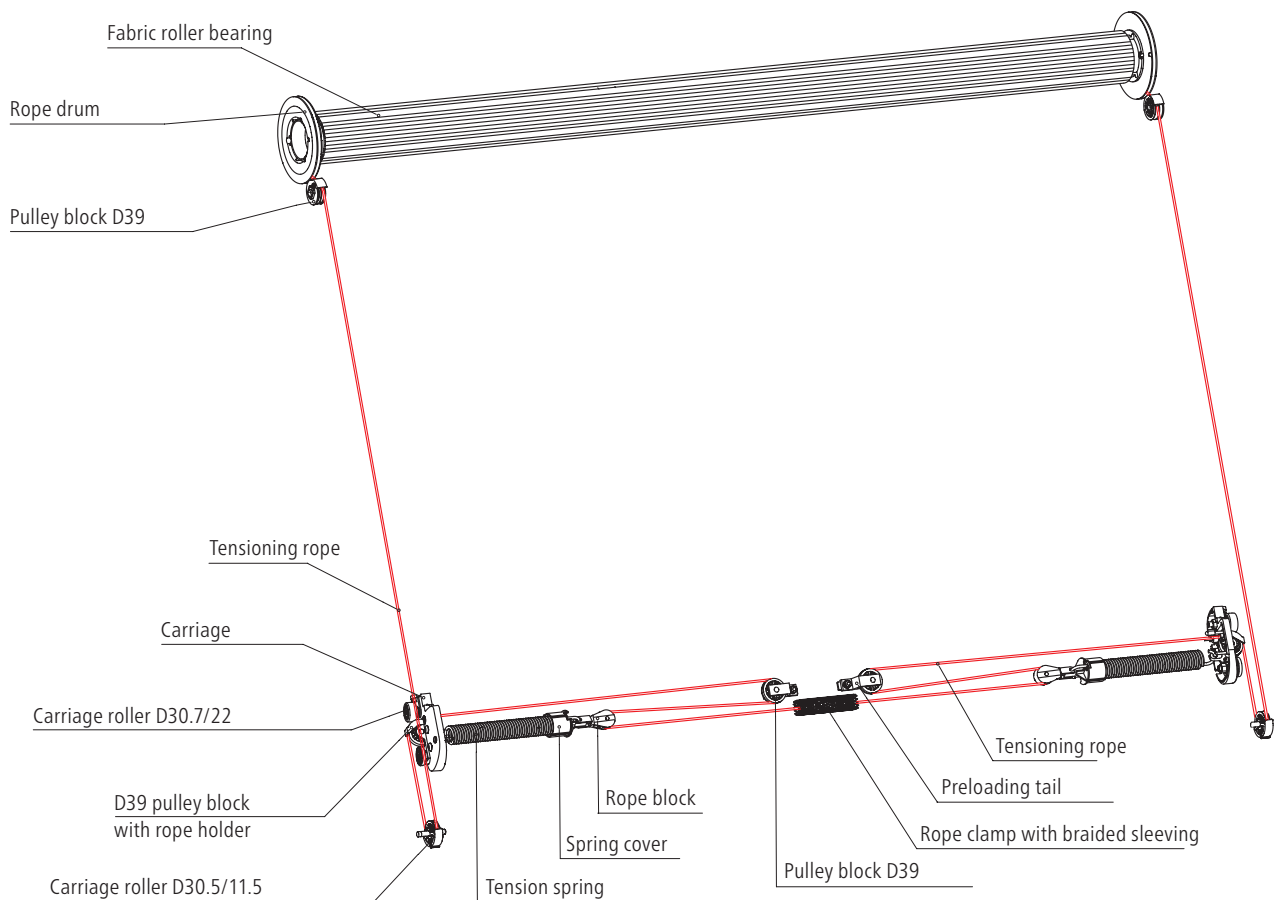
### The OptiStretch system



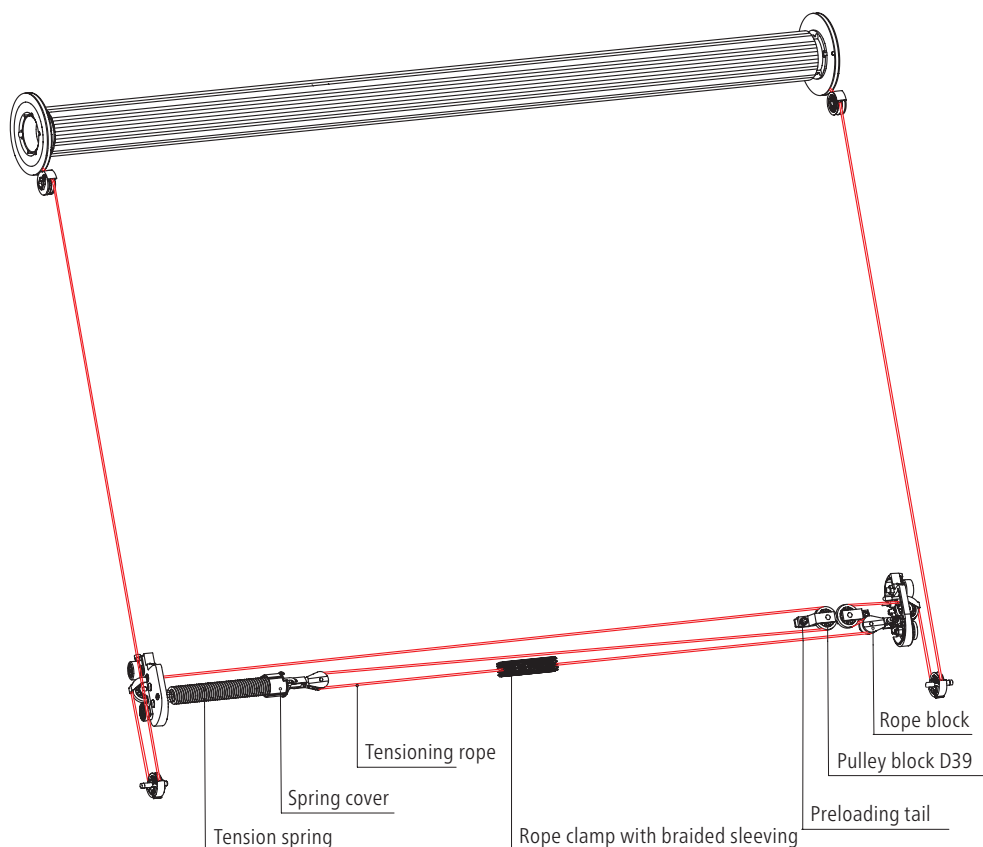
- Held captive on 4 sides
- No edges hanging down the sides
- No light gap
- Soltis® fabrics are not available for the OptiStretch version

## Tension system

Tension system with 2 tensioned springs (number of springs depends on the projection and width)



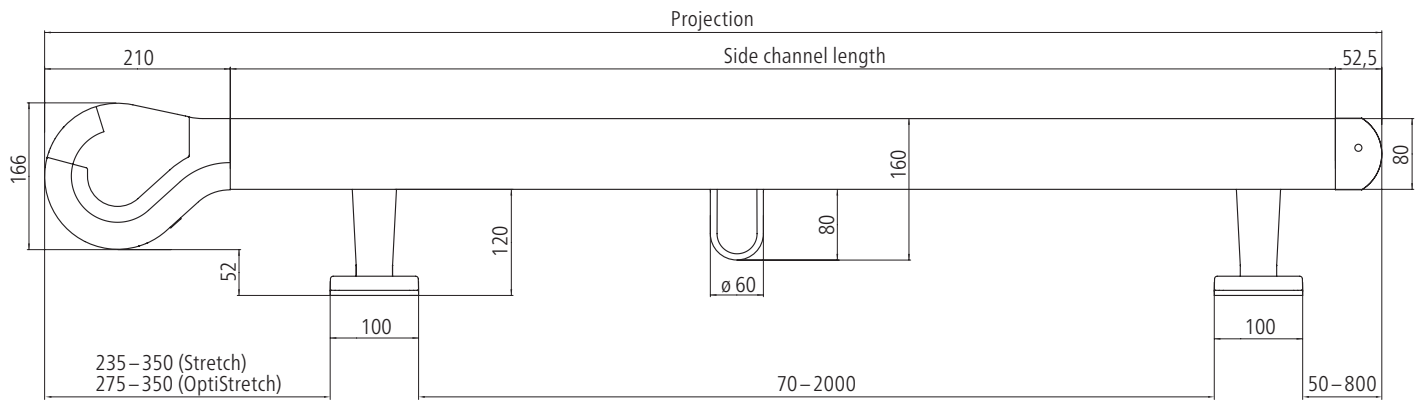
Tension system with 1 tensioned spring (depends on projection and length of spring)



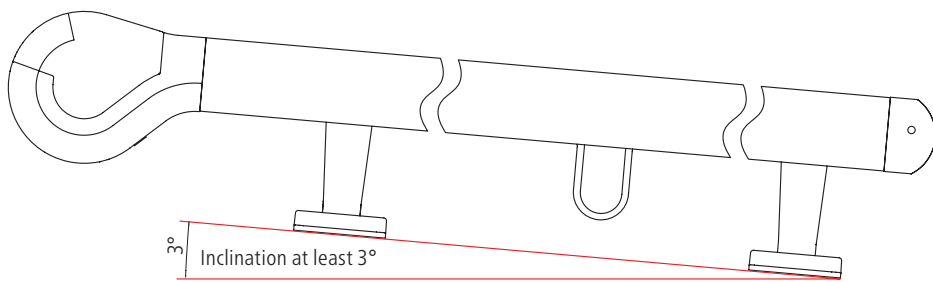
# WGM Top

## Overall views of single-unit system

### Side view of single-unit system

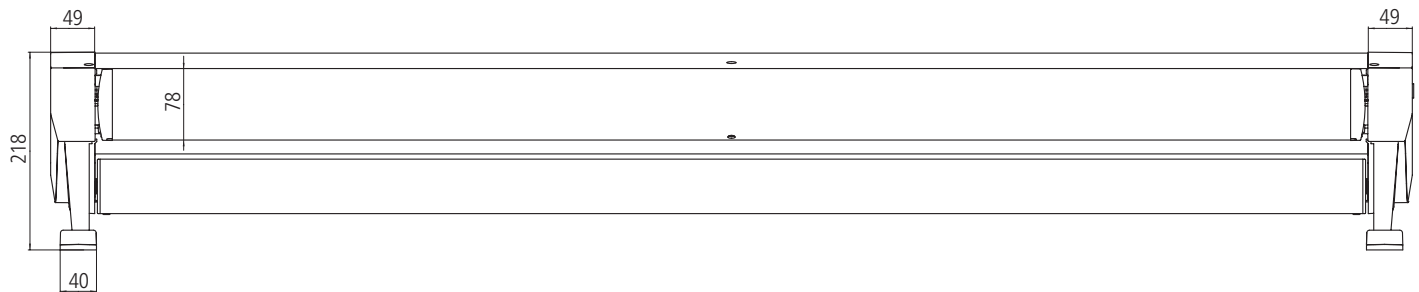


The WGM Top with 120 mm high support bracket – when determining the assembly height take obstacles such as rain gutters etc. into account.



Min. tilt 3°

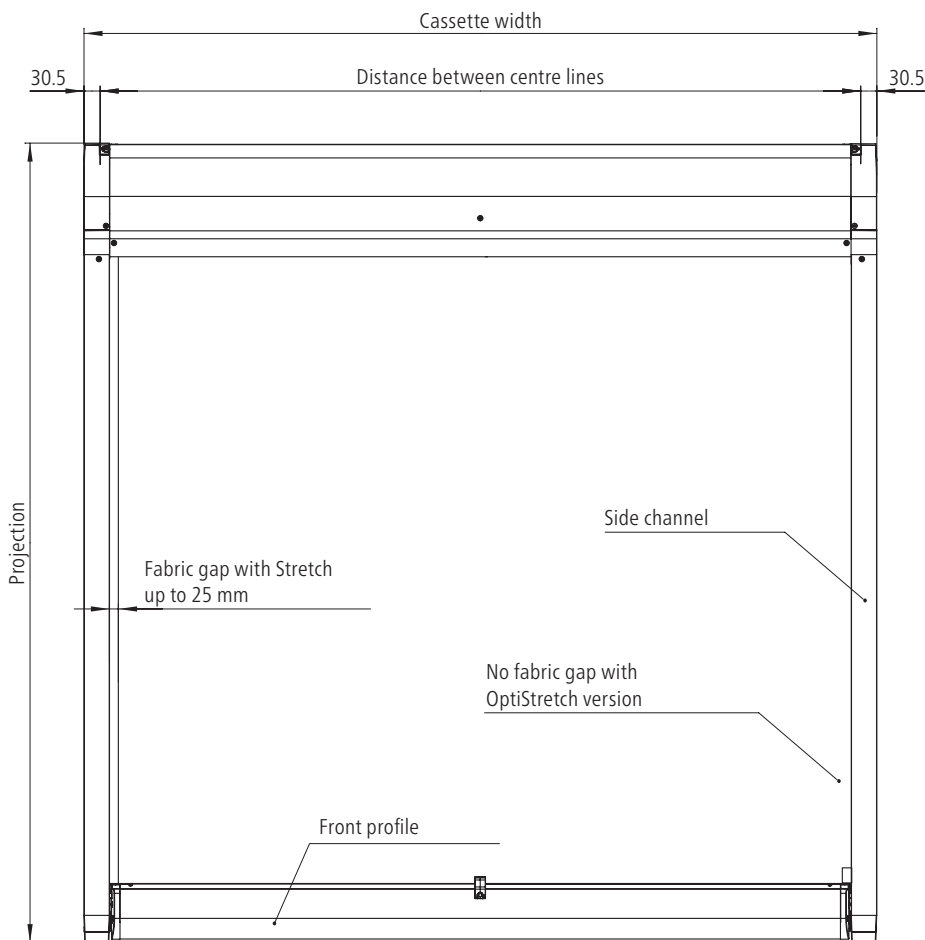
### Front view of single-unit system



WGM Top with 120 mm high support bracket

## Overall views of single-unit system

### Top view of WGM Top single-unit system

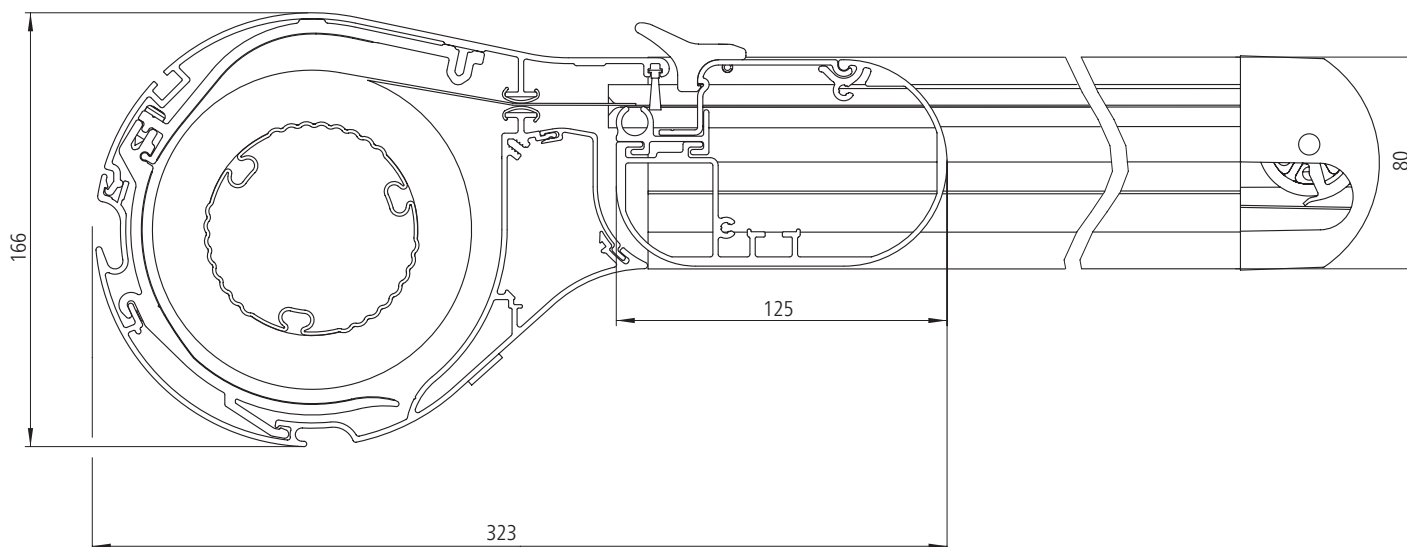


### Determining dimensions of single-unit system

**Projection:**  
rear edge of cassette to leading edge of side channel

**Distance between centre lines:**  
cassette width minus 61 mm  
(2 x 30.5 mm)

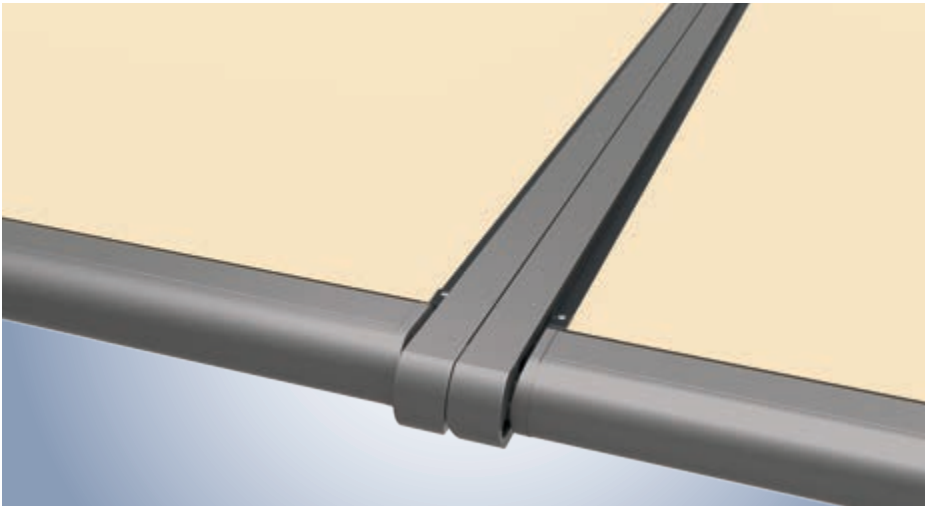
### WGM Top cross section





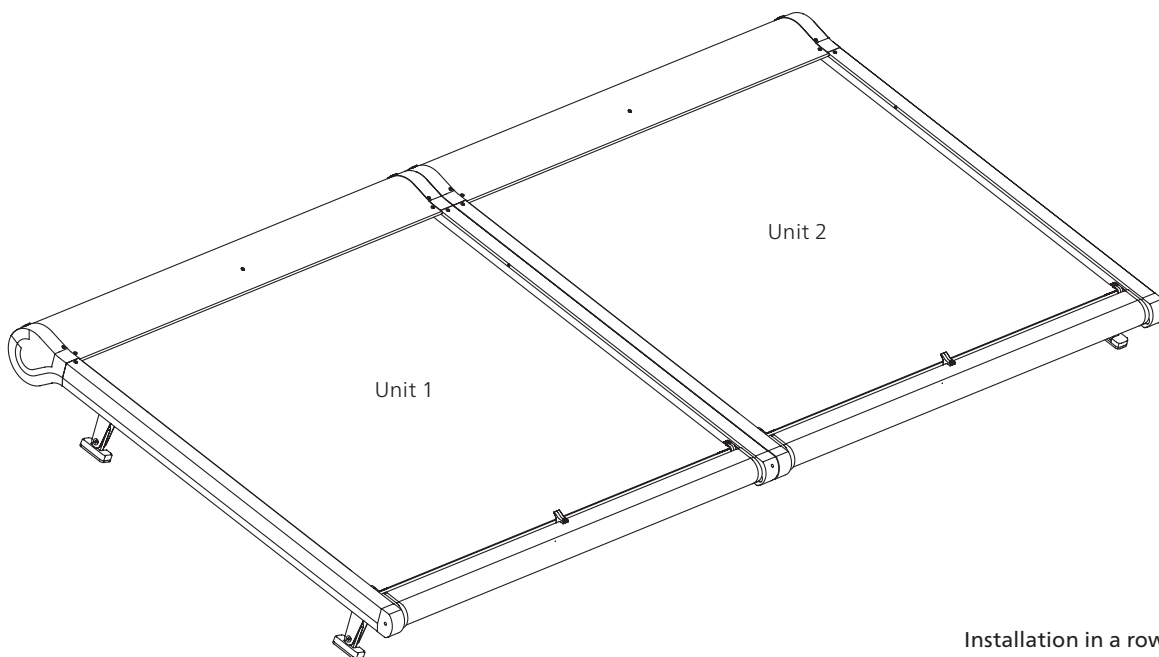
## Overall views of multi-section unit

---



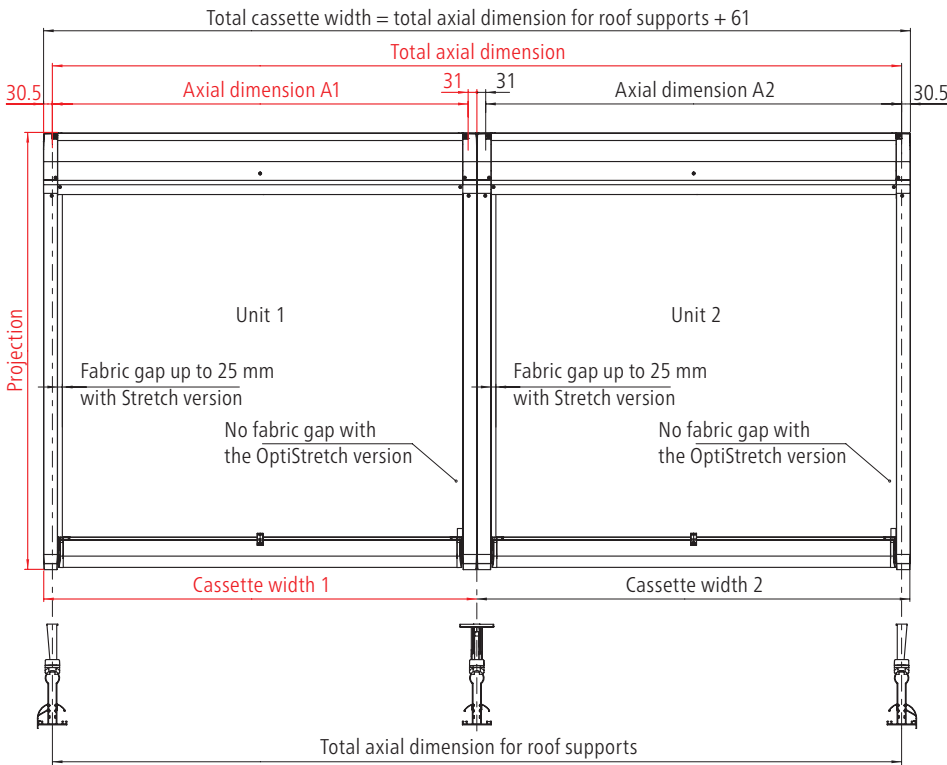
The maximum size of the WGM Top is 6,500 x 5,000 mm or 6,000 x 6,000 mm. Wider systems can be extended easily to become a multi-section unit by placing single-unit systems next to each other.

The single-unit systems installed next to each other have a separate motor drive and can thus be retracted and extended separately.



Installation in a row

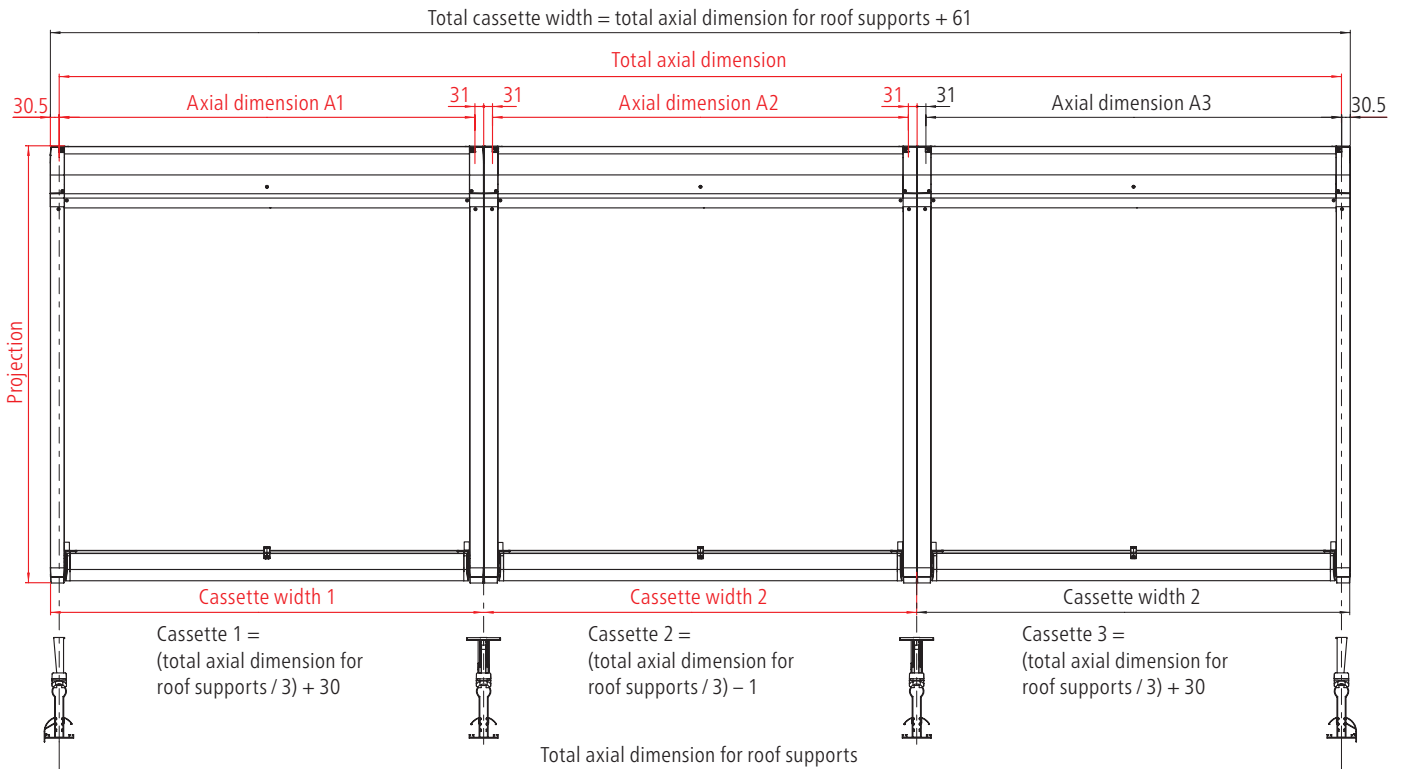
## Determining dimensions for multi-section units (2 units)



### Determining dimensions for multi-section units with 2 units

**Calculation of cassette width**  
 (Total axial dimension for roof supports/2) + 30 mm  
 Only applies if both units have the same axial dimension.

## Determining dimensions for multi-section units with 3 units or more\*



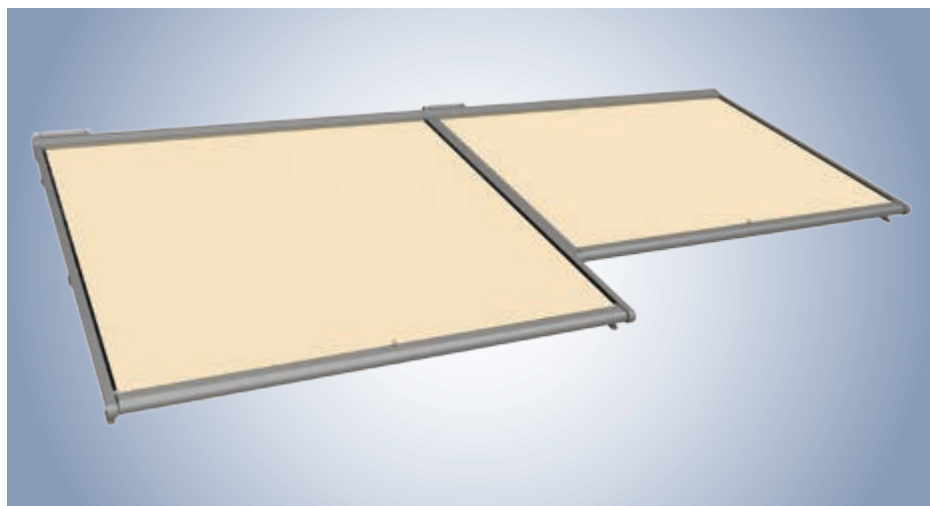
**Calculation of cassette width 1 + 3 (outside cassettes):**  
 (Total axial dimension for roof supports/3) + 30 mm

**Calculation of cassette width 2 (inside cassettes):**  
 (Total axial dimension for roof supports/3) - 1 mm

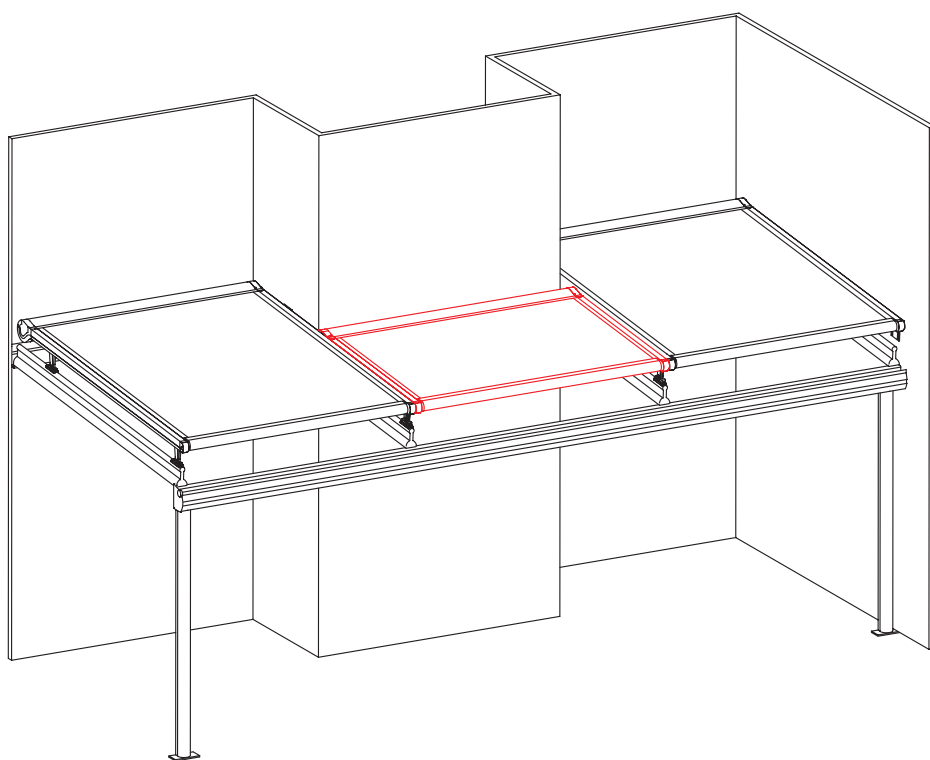
\* The determining of measurements applies to a maximum total width of 14 m and only if all distances between centre lines are the same and the number of roof units can be divided by 3.



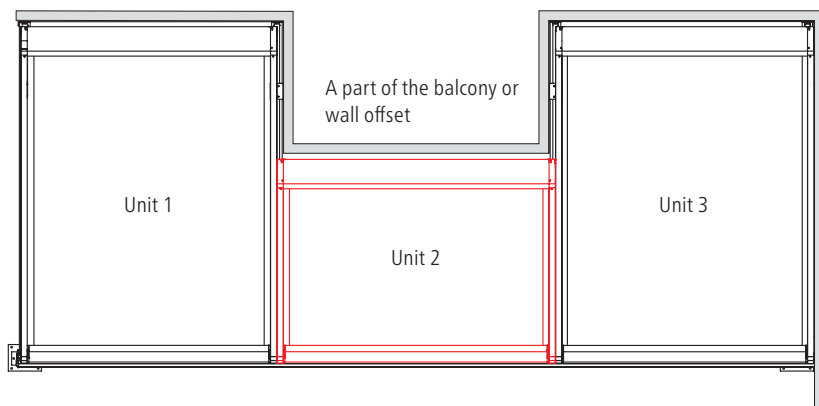
### Multi-section unit with wall or guttering offset



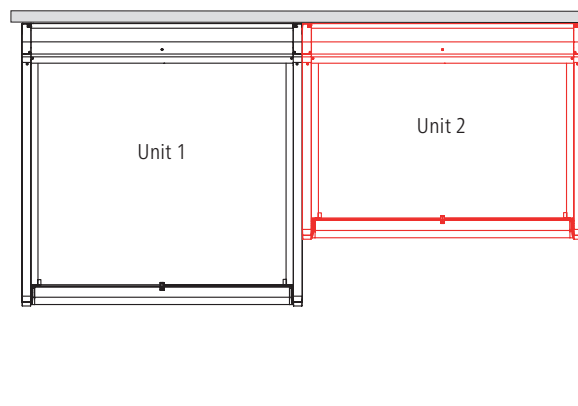
Different offset versions can be designed on request (e.g. guttering offset).



Multi-section unit with offset (profile view)

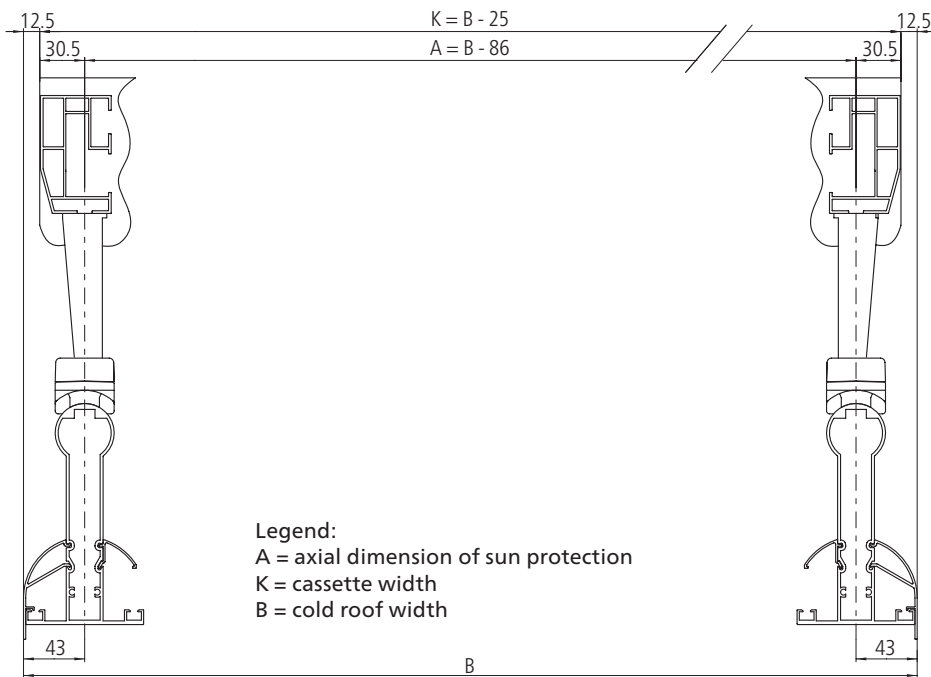


Multi-section unit with wall offset (top view)

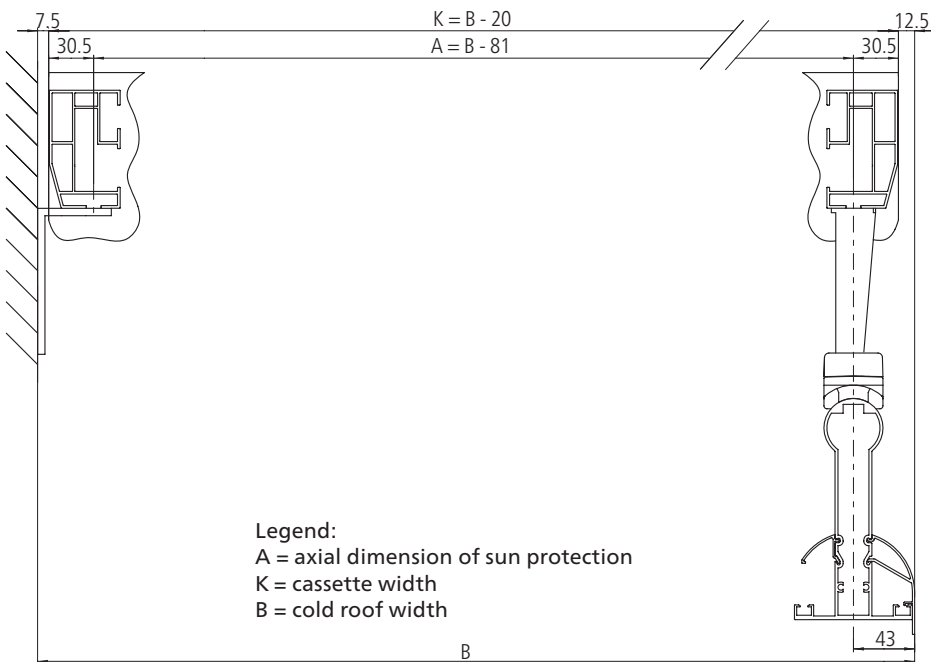


Multi-section unit with guttering offset (top view)

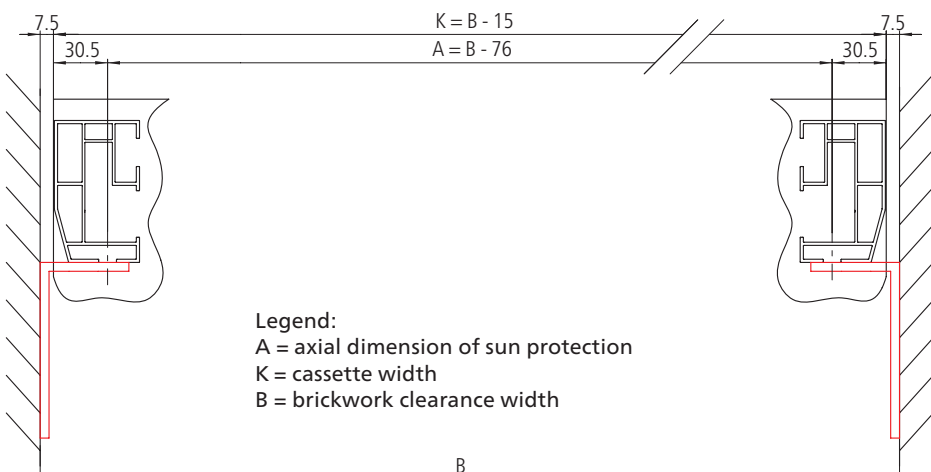
## Mounting alternative for single-unit system



**Mounting alternative without sideways bordering**  
Fixing with top support bracket.

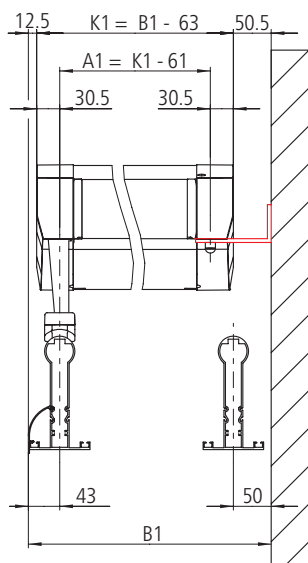


**Mounting alternative with one-sided bordering, top support bracket**  
WGM Top on a conservatory with e.g. adjacent wall on side. Fixing with wall-mount angle bracket and top support bracket.



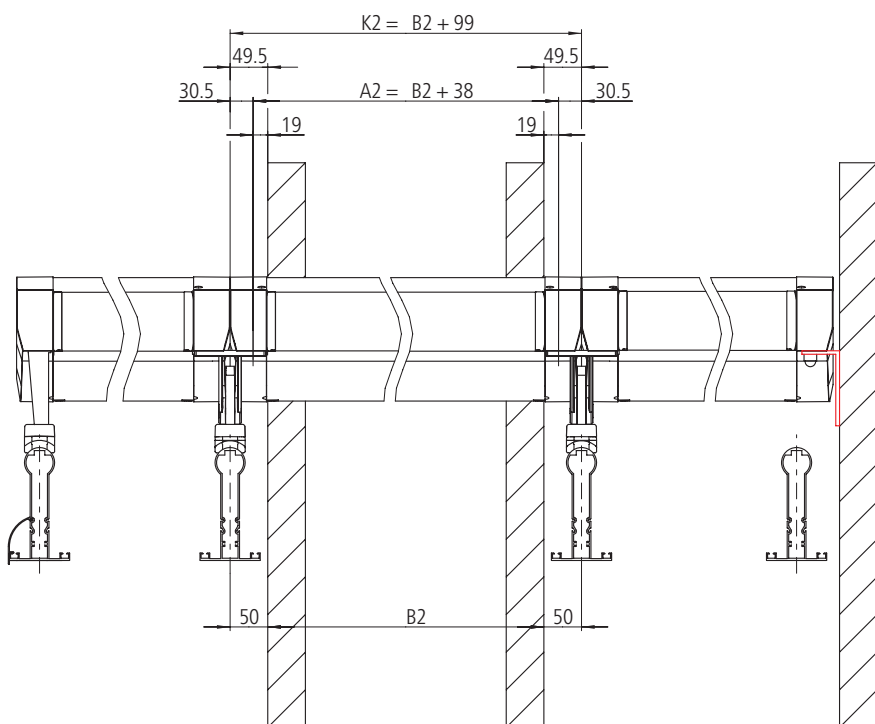
**Mounting alternative with wall bordering on both sides**  
The installation is mounted directly onto the brickwork using wall-mount angle brackets.

## Mounting alternative for multi-section unit with a part of the balcony or wall offset



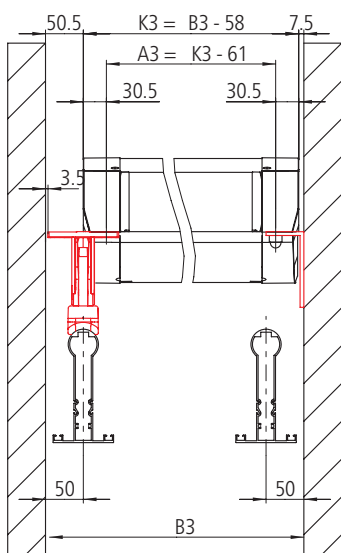
Legend:  
 A1 = axial dimension of sun protection  
 K1 = cassette width 1  
 B1 = wall offset width

**Mounting alternative with one-sided bordering in wall offset**  
 Fixing with wall-mount angle bracket and top support bracket.



**Mounting alternative for multi-section unit with part of the balcony in the centre**

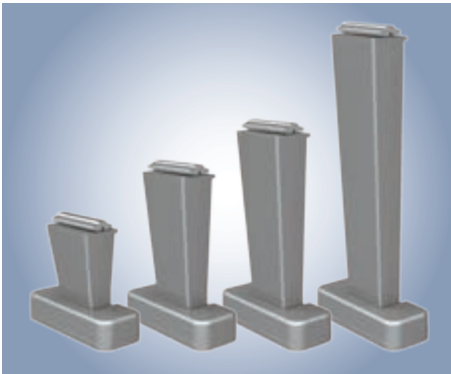
Legend:  
 A2 = axial dimension of sun protection  
 K2 = cassette width 2  
 B2 = balcony width



Legend:  
 A3 = axial dimension of sun protection  
 K3 = cassette width 3  
 B3 = brickwork clearance width

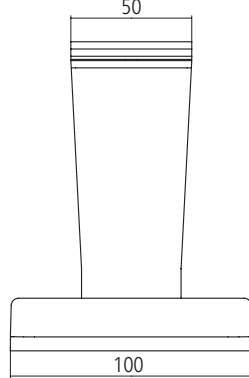
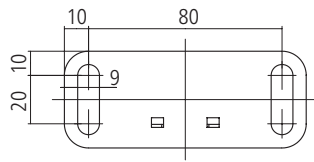
**Mounting alternative with double-sided bordering and wall offset**  
 Fixing with wall-mount angle brackets directly on the brickwork and top support bracket adjustable for multi-section units.

## Fixing/support brackets



### Top support bracket

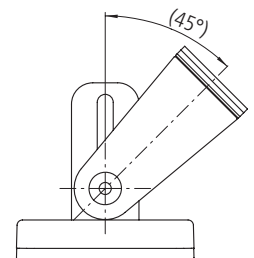
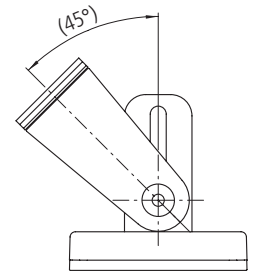
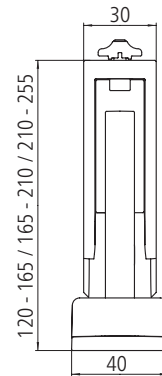
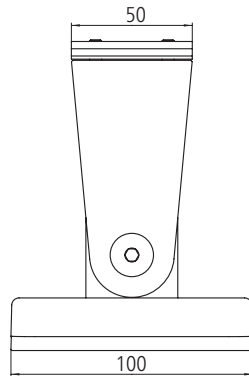
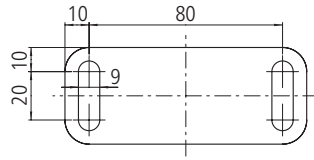
Height: 80 mm, 120 mm, 150 mm and 220 mm



### Adjustable top support bracket

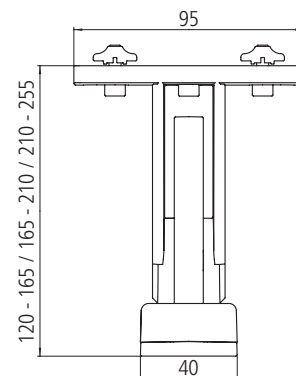
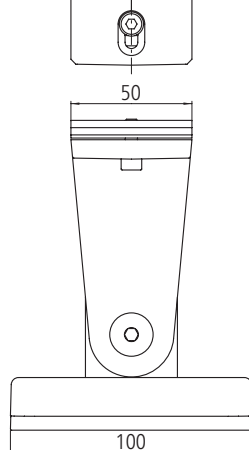
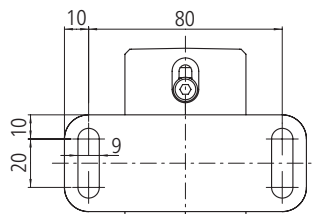
Height: 120 mm – 165 mm  
165 mm – 210 mm, 210 mm – 255 mm

The support bracket angle is adjustable up to 45°. The support bracket bottom section is not visible with an angle of 4°.



### Adjustable top support bracket for multi-section unit

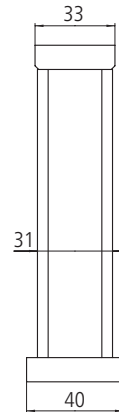
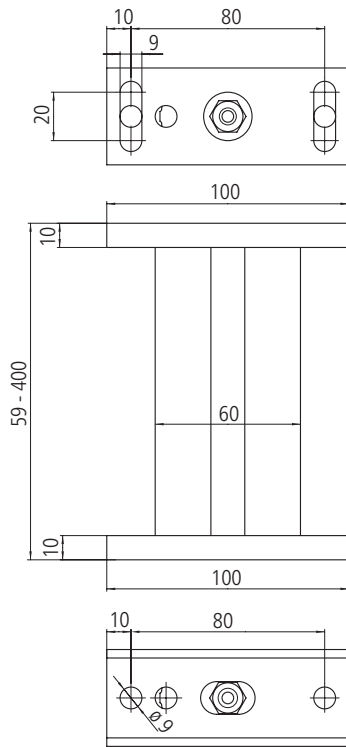
Height: 120 mm – 165 mm  
165 mm – 210 mm, 210 mm – 255 mm



Fixing/special support brackets



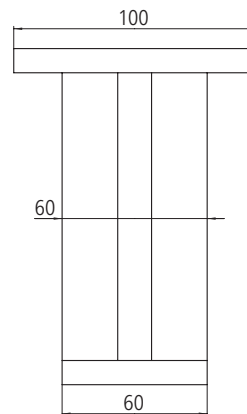
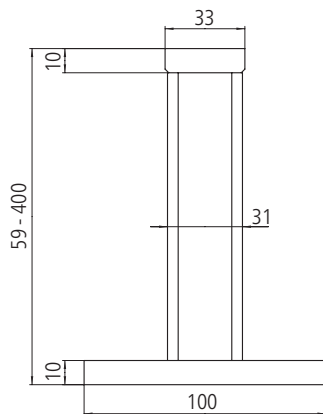
Special support bracket installation



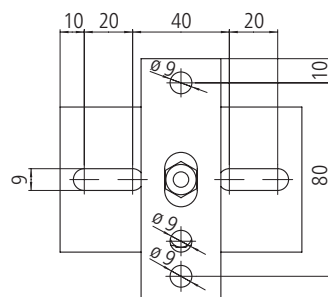
Special support bracket  
59 – 400 mm customisation



Cross-shaped bracket installation



Cross-shaped support bracket  
59 – 400 mm customisation

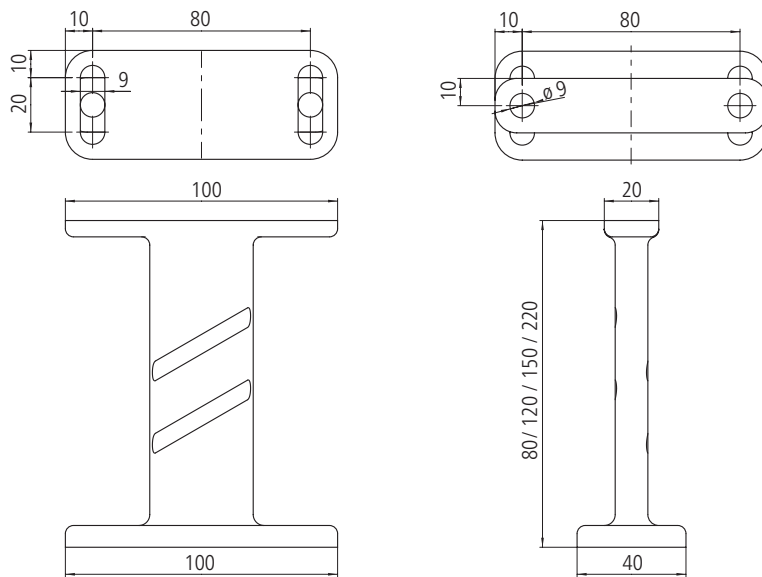


## Other support brackets



### Modern support bracket

Height: 80 mm, 120 mm, 150 mm and 220 mm



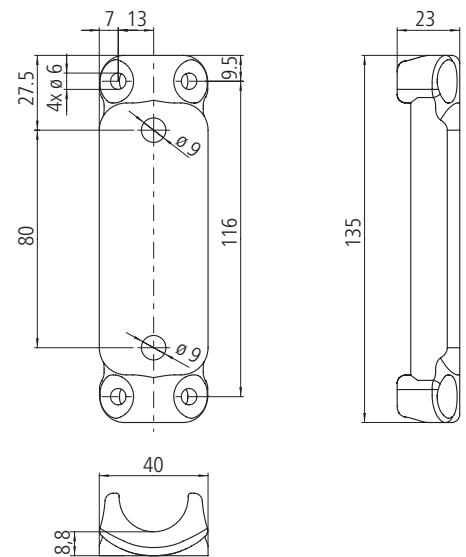
## Adaptor plates – installation on weinor Terrazza



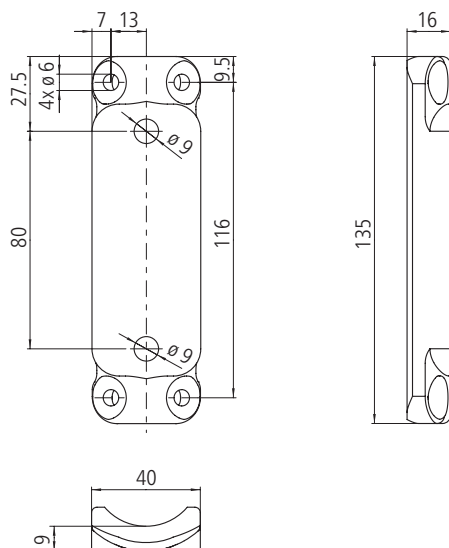
Installation on a Terrazza patio roof



Support bracket mounting plate for 110 roof support for weinor Terrazza S

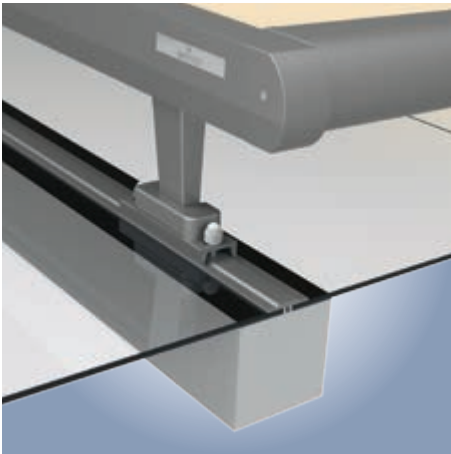


Support bracket mounting plate for 150 roof support for weinor Terrazza L

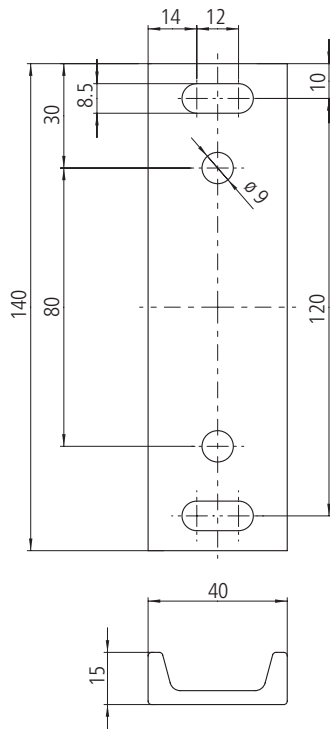


The DIN7982-5.5x19-C-A2-Tx countersunk self-tapping screw is required to fix the 110 and 150 mounting plates.

## Adaptor plates/base plates



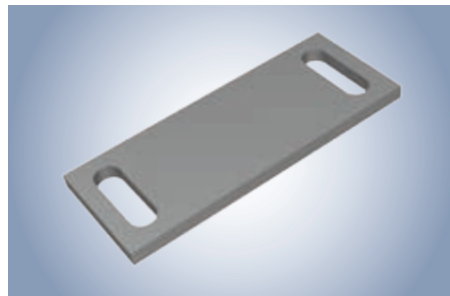
Installation using U profile on fins



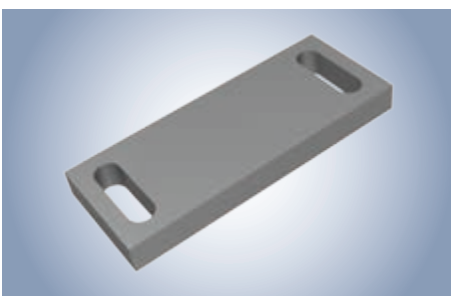
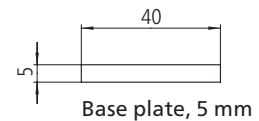
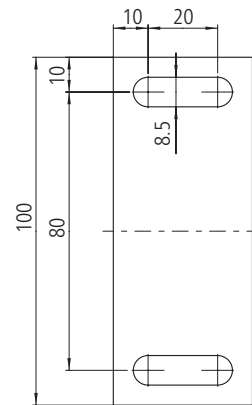
U profile for fins



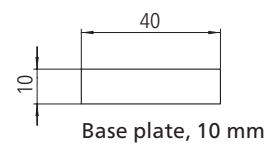
Installation with base plate



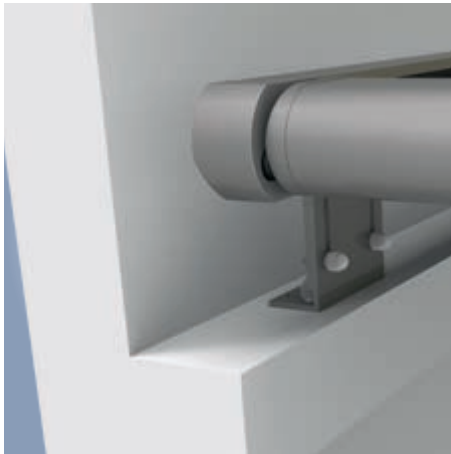
Base plate for support bracket height: 5 mm



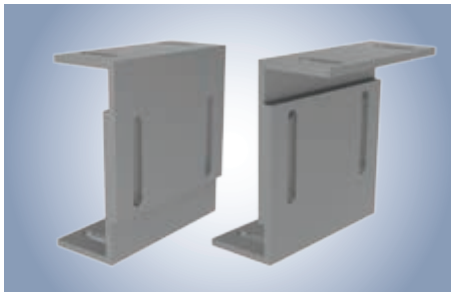
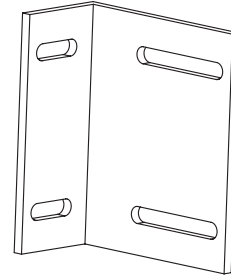
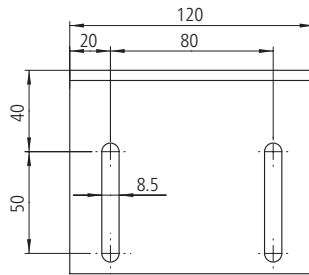
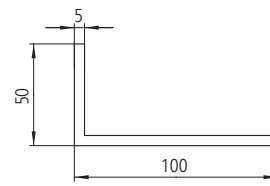
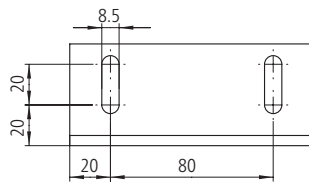
Base plate for support bracket height: 10 mm



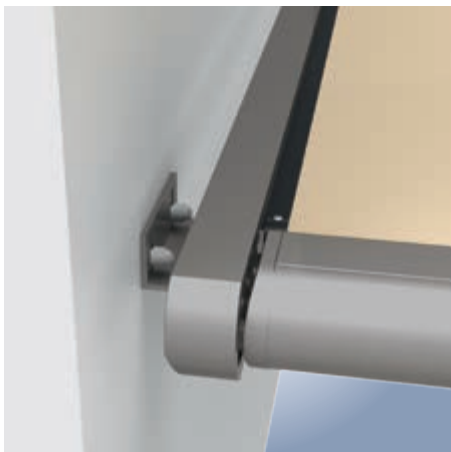
## Special brackets



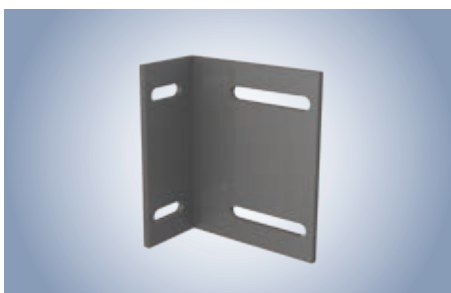
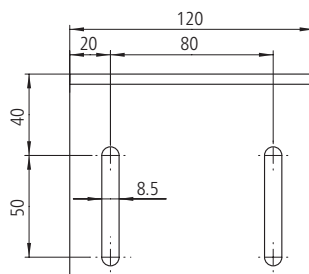
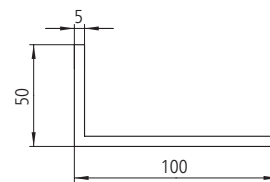
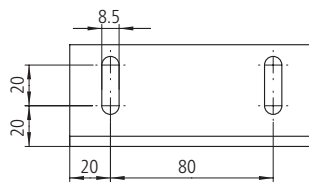
Installation on lateral wall or niche using a Z-shaped bracket



**Z-shaped bracket**  
(2 100x50x5x120 mm wall-mount angle brackets)



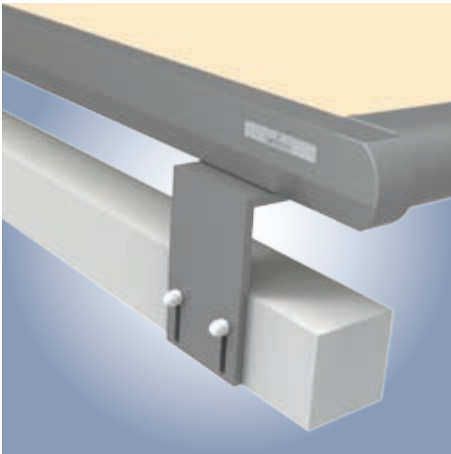
Installation on a lateral wall



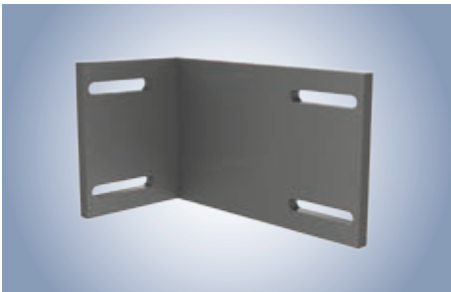
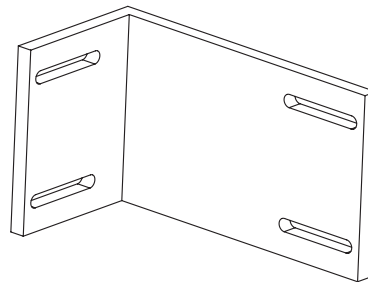
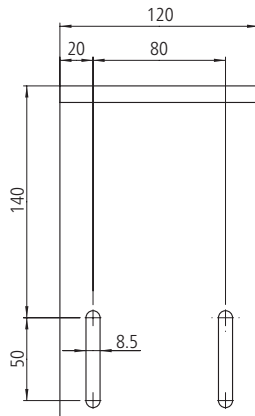
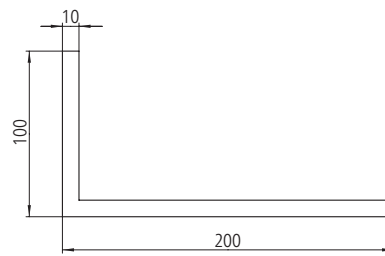
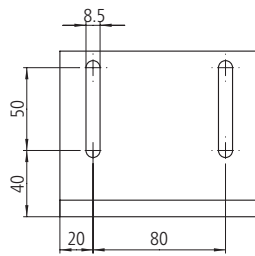
**Wall-mount angle bracket**  
(100x50x5x120 mm)



Special brackets



Installation on a lateral conservatory using a long angle bracket



**Long angle bracket**  
200x100x10x120 mm

# 47 standard RAL colours



# Over 200 modern FRAME COLOURS

*Colour manufacturers make every effort to guarantee colour stability. Despite this, as a result of the ban on the use of heavy metals in powder coatings, it therefore cannot be excluded that colours in general, and Fire Red (RAL 3000) in particular, may fade with time. Colours may differ significantly due to the printing process.*

**Maximum colour safety:** weinor has over 200 different frame colours for you to choose from. You can choose from diverse colours which harmonise with the architecture.

## Identical colours – for a perfect match

As weinor does all the powder coating in its own workshop, you can also rest assured that different weinor products come with the same top-class colour tonality and identical gloss level.

## Choose from an abundance of high-quality colours:

- 47 standard RAL frame colours, silk gloss
- 9 scratchproof, resistant trend colours with an elegant textured look (standard)
- over 150 special RAL colours

RAL 8003  
Clay brown

RAL 6012  
Black green

RAL 1002  
Sandy yellow

RAL 1015  
Light ivory

RAL 1003  
Signal yellow

## 9 trend colours

WT 029/50704  
Approx.  
RAL 6009 metallic

WT 029/90147  
Approx.  
RAL 9007 metallic

WT 029/71289  
Approx.  
RAL 7016

WT 029/80081  
Iron glimmer  
effect P7

WT 029/80077  
Approx.  
DB 703 metallic

WT 029/10797  
Approx.  
RAL 9010

WT 029/90146  
Approx.  
RAL 9006 metallic

WT 029/70786  
Sparkling iron  
effect

WT 029/60740  
Chestnut 04  
metallic

# The **FABRIC** makes the awning

Breathtakingly beautiful and long-lasting: our wide range of fabric patterns brings a cosy atmosphere outdoors – strictly according to your individual taste.

## Attractive awning fabrics to suit every taste



my collections®, weinor's new fabric range consists of 3 different colour ways with a total of 143 patterns in total.

weinor fabrics are made from polyester or acrylic and are spinneret dyed. This guarantees outstanding durability, consistently radiant colours and great UV resistance.

Thanks to the Teflon fabric coating and state-of-the-art nanotechnology, the surface is resistant to oil, water, dirt and prevents rot.

my collections is also impressive in terms of environmental compatibility. The fabrics do not contain any substances harmful to health and they meet all the required environmental standards.

More information at:  
[www.weinor.com/fabric\\_qualities](http://www.weinor.com/fabric_qualities)

## Vertical sun protection with a crystal-clear view



weinor external screens effectively protect both the indoors and outdoor spaces from overheating, whilst giving superb sun protection. They can also offer privacy from prying eyes. We recommend the screens by weinor® collection for this application.

It includes four different, high-quality fabrics, StarScreen, Perluca, Soltis® and fibreglass screen. They all offer perfect sun protection and privacy for windows, the patio and balconies. Different degrees of transparency and how much air is let through are possible, depending on requirements.



**momentum, mélange and not crazy.**  
Choose your favourite pattern from the 3 well selected colour ways. Whether it's timeless neutral, harmonious or creative trends – we have the right material and matching colour for every taste.

  
**my collections**  
High-quality awning fabrics



Premium quality  
made in Germany



Awning



Awning  
with Valance Plus  
and Tempura



Awning  
with Valance Plus  
and Paravento



Pergola awning  
Plaza Viva  
and Paravento



Pergola awning  
weinor PergoTex II  
and Tempura



Pergola awning  
weinor PergoTex II  
with VertiTex II



Terrazza  
patio roof  
with Sottezza II  
sun protection



Terrazza patio roof  
with lateral SUPER LITE  
fixed glazing



Glasoase® with  
conservatory awning  
WGM Top and full glass  
sliding door w17 easy

## AWNINGS

## PERGOLA AWNINGS

# CUSTOMISED, SYSTEMISED SOLUTIONS

## PATIO ROOFS AND GLASOASE®

We reserve the right to make technical changes. For technical reasons, the colours may appear slightly different when printed.

0/0118/122552-0000 Z

